

Features and applications

- Precise opto-electronic sensor
- Hollow shaft , Diameter can be flexibly customized
- Resolution Max. 8192ppr.
- Shock and vibration resistance
- Flexible installation , widely applied in various automation industries, **Explosion-proof available**



Model	PIN58T	PIN58N	PIN58D	PIN58F
Housing diameter	Ø 58mm			
Shaft diameter	Hollow Shaft Ø 8 /10 /12 /14 /15 mm			

Working principle	Opto-electronic
Power supply	5±0.25 Vdc or 10...30Vdc
Output circuit	HTL/push-pull ,TTL/RS422 , Voltage output, Current output
Output signal	A B , A B Z or A B Z + A/ B/ Z/
Zero signal	Zsignal width1T (0.5T or 0.25T for option)
Current consumption	80mA , (HTL/TTL 150mA max.)
Response frequency	100KHz , 125KHz , 150KHz , 250KHz , 300KHz

Connection type	Cable or Connector
Connection position	Radial

Max. speed	6000 r/min		
Shaft load	Radial 40N, Axial 20N		
Protection class	IP54 , IP65	IP65 , IP66	IP54 , IP65
Starting torque	3x10 ⁻² N.m Max.		
Operating temperature	-25°C....85°C (-40°C....100°C special make)		
Storage temperature	-35°C....100°C		
Shock resistance	1000 m/s ² , 6 ms		
Vibration resistance	100 m/s ² , 10....200Hz		

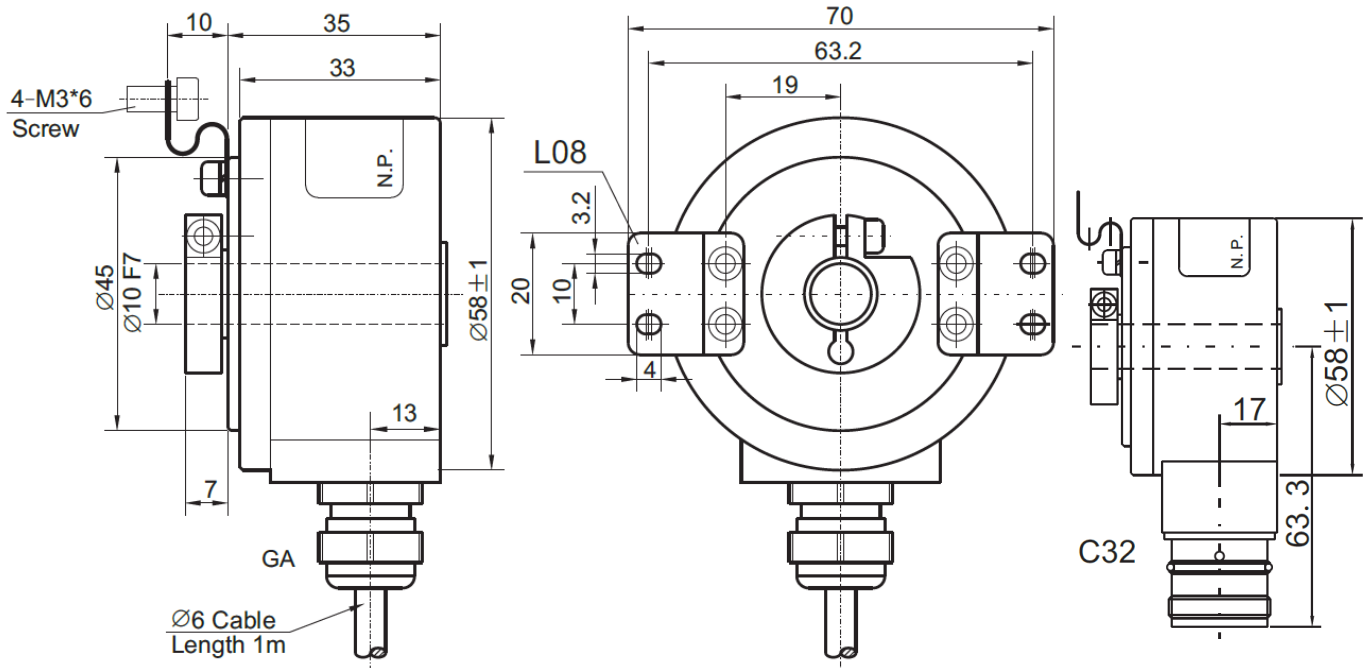
Number of pulses	Common pulse : 100 , 120 , 125 , 200 , 250 , 256 , 300 , 360 , 400 , 500 , 512 , 600 , 1000 , 1024 , 1200 , 1250 , 1500 , 1800 , 2000 , 2048 , 2500 , 3000 , 3600 , 4000 , 4096 , 5000 , 8192
-------------------------	---

Wiring table

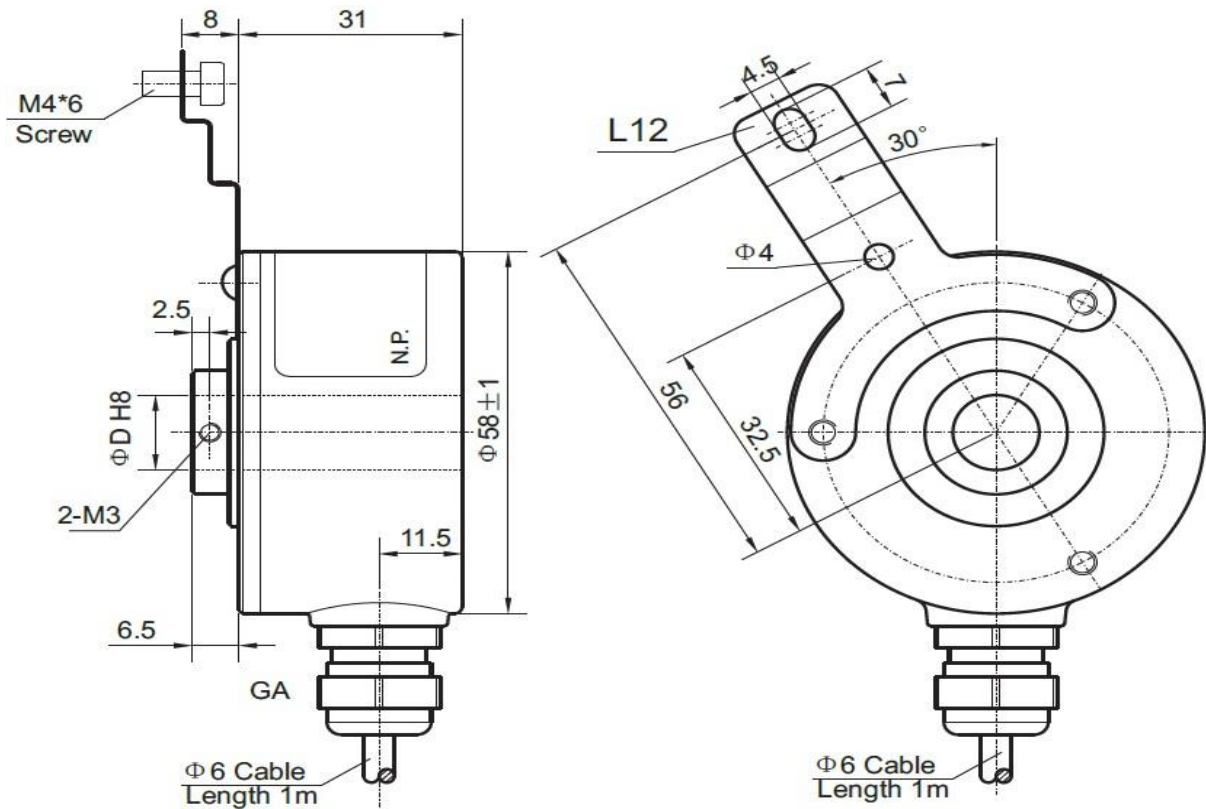
Color	White	Black	Red	Green	Yellow	Pink	Blue	Orange	Shield
Signal	Vcc	0V	A	B	Z	-	-	-	-1)
Signal	Vcc	0V	A	B	Z	A/	B/	Z/	-1)

Dimension drawing

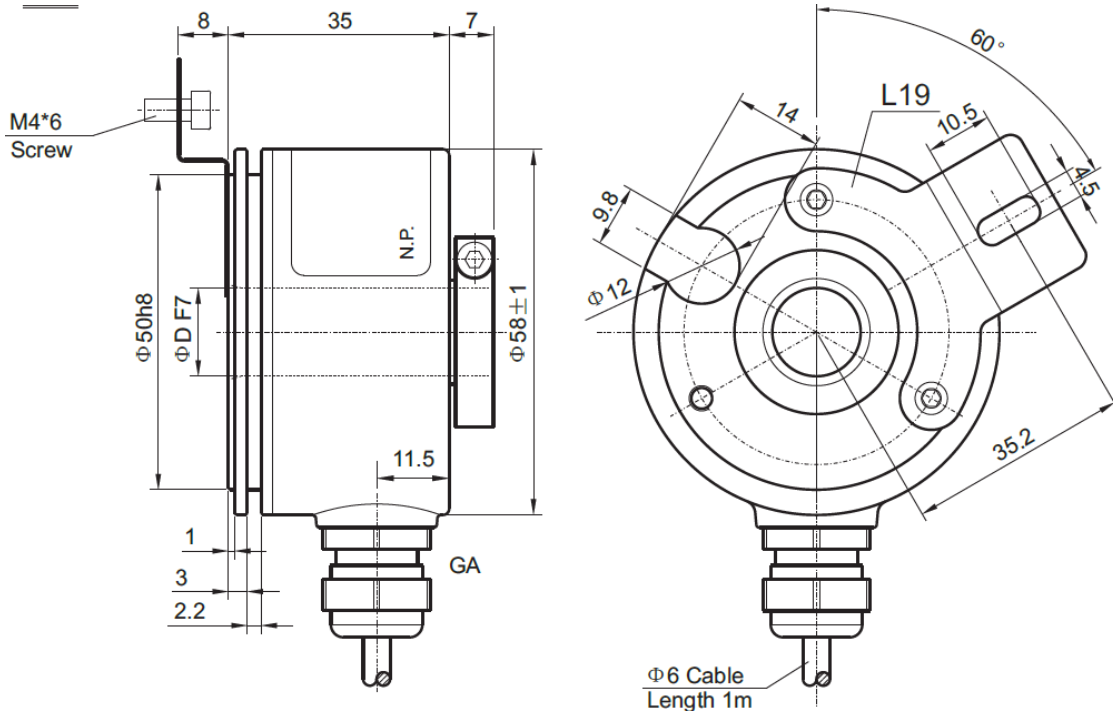
Series PIN58T:



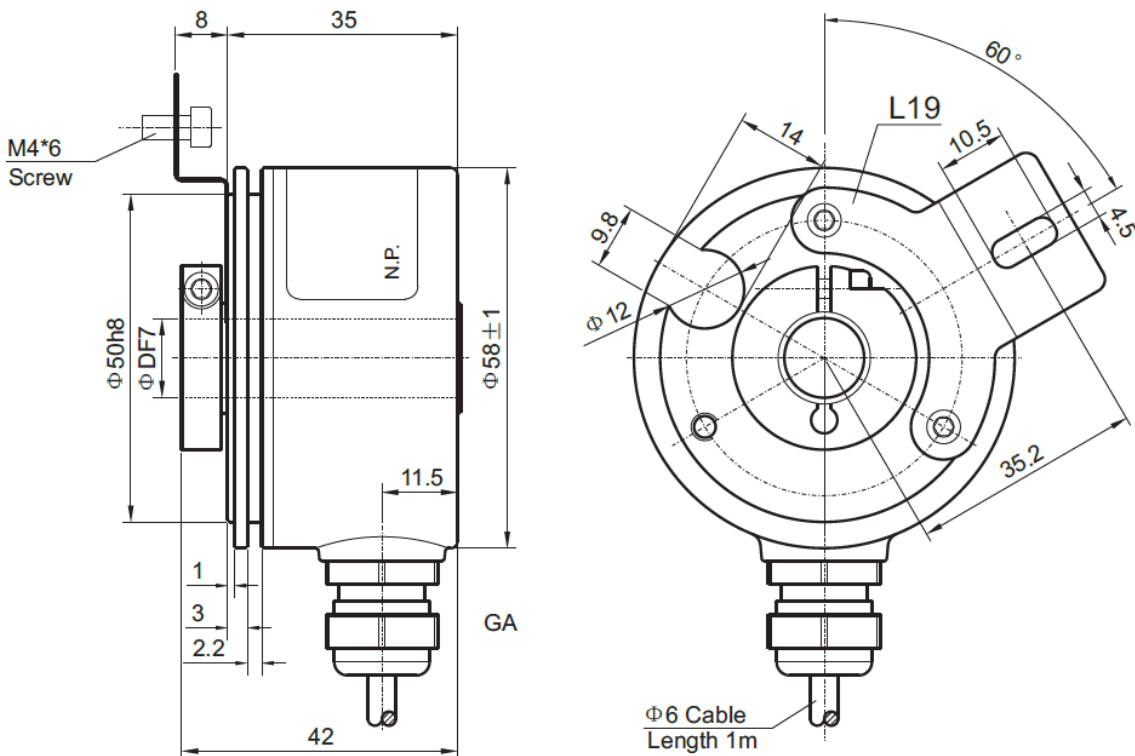
Series PIN58N:



Series PIN58D:



Series PIN58F:



Order Reference

	1	2	3	4	5	6	7	8
1. Spec. and series	PIN58T - PIN58N - PIN58D - PIN58F -	XXX	XX	X	X	X	XXXXX	XX
2. Shaft diameter	006 Ø6mm 008 Ø8mm 010 Ø10mm 012 Ø12mm 14 Ø14mm 15 Ø15mm	006 008 010 012 014 015						
3. Connection type	A1 Cable Ø7mm, 8x2x0.14mm ² , 1m AC Connector pins AB Connector M23		A1 AC AB					
4. Connection position	A Axial R Radial			A R				
5. Signal output	6 A+ B+ Z+ and A- B- Z- 3 A B Z				6 3			
6. Output circuit	T 10-30V, HTLpush-pull E 5V, TTLdriver F 5-30V, HTLpush-pull					T E F		
7. Number of pulses:							01024	
								10, 15, 50, 100, 120, 125, 200, 250, 256, 300, 360, 400, 500, 512, 600, 1000, 1024, 1200, 1250, 1500, 1800, 2000, 2048, 2500, 3000, 3600, 4000, 4096, 5000, 8192, 10000, 16000
8. EX explosion-proof								
EX	explosion-proof type encoder EX II 2G Ex ib IIB T4 Gb							EX